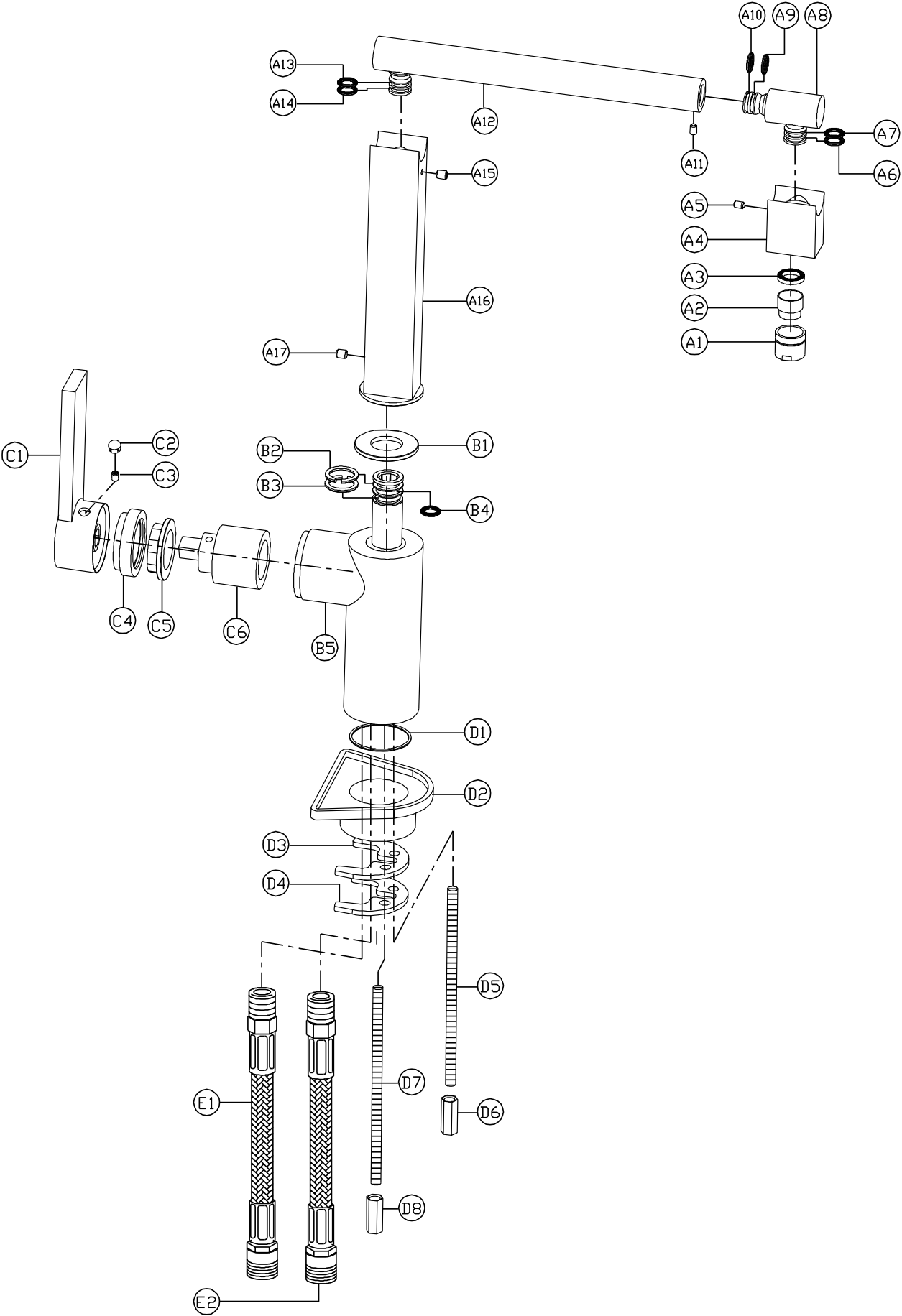


Indus Single lever

abode



Indus Single lever

abode

General Advice:

- These instructions are intended as a guide only, if you are in any doubt you should seek the advice of a qualified professional.
- Take care not to mark finished parts with screwdrivers or other tools.
- Use a pair of rubber gloves to get a better grip on decorative hand tight parts.
- Ensure all parts are reassembled tightly.
- After maintenance test that all assemblies are water tight and function correctly.
- Always isolate the hot and cold water supplies before starting any maintenance, once isolated you should drain any residual water from your system.

To replace the valve:

1. Tilt the handle (C1) into the on position.
2. Remove dust cap (C2) with a finger nail or small screwdriver.
3. Loosen grub screw (C3) using a 2.5mm A/F Allen key.
4. Pull the handle (C1) horizontally away from the tap.
5. Pull the decorative shroud (C4) away from the body (B5).
6. Hold the body of the tap (B5) firmly. Using an adjustable spanner unscrew the valve lock nut (C5).
7. Pull the old valve cartridge (C6) away from the tap.
8. Ensure that the valve chamber (B5) is clean of dirt and grit.
9. Place the new valve (C6) in the chamber (B5), ensuring the locators on the base of valve (C6) align with the recesses in the chamber of the tap (B5).
10. Reassemble the tap in the reverse order, ensure that the wide section of the 'shell' cut out on the decorative shroud (C4) faces the bottom of the tap.

To replace the spout o-rings:

1. Loosen grub screw (A17) using a 2mm A/F Allen key.
2. Pull the spout (A16) vertically away from the body (B5).
3. Remove the old o-ring (B4) using a small screwdriver or similar.
4. If worn, remove the white PTFE spacers (B2 & B3).
5. Ensure the inside of the spout (A16) and the spout base (B5) is clean of dirt and grit.
6. If required locate the new white PTFE spacers (B2 & B3).
7. Carefully locate the new O-ring (B4) onto the spout base (B5).
8. Grease the O-rings thoroughly with silicone or alternative similar grease.
9. Reassemble the tap in the reverse order.

Should the handle become loose:

1. Tilt the handle (C1) into the on position.
2. Remove dust cap (C2) with a finger nail or small screwdriver.
3. Loosen grub screw (C3) using a 2.5mm A/F Allen key.
4. Pull the handle (C1) horizontally away from the tap.
5. Look for the indentation the grub screw (C3) has made on the valve stem (C6), using a small screwdriver or similar make the indentation deeper.
6. Reassemble the handle ensuring the grub screw (C3) is fully tight.